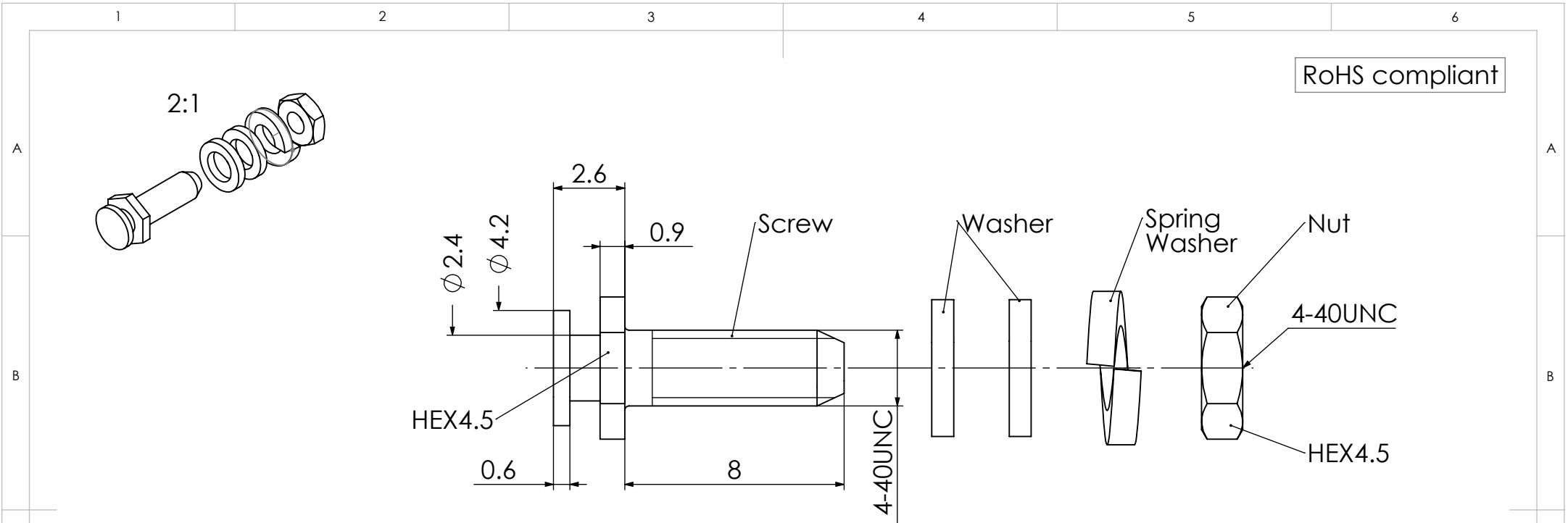


COMMENT:
 ALL RIGHTS ARE RESERVED BY US FOR THIS DRAWING. WITHOUT OUR PRIOR CONSENT,
 IT MAY NEITHER BE DUBLICATED NOR MADE AVAILABLE TO A THIRD PARTY,
 AND IT ALSO MAY NOT BE IMPROPERLY USED BY TE RECEIVER, OR A THIRD PARTY.



1731121324	F56M034S245+S	Steel	tin plated	1	-	-	-
1731120236	F-SGV1/5		zinc plated 1)	1	2	1	1
1731120992	F-SGV1/5S		zinc plated 1)	1	2	1	1
1731120604	F-SGV1/5SN		tin plated	1	2	1	1
<i>Material Number</i>	<i>FCT Part Number</i>	<i>Material</i>	<i>Surface</i>	<i>Screw (pc.)</i>	<i>Washer (pc.)</i>	<i>Spring Washer (pc.)</i>	<i>Nut (pc.)</i>

FUNCTIONAL SYMBOLS

▽ = 0
 ▽ = 0
 ▽ = 0

THIS DRAWING CONTAINS INFORMATION THAT IS PROPRIETARY TO MOLEX ELECTRONIC TECHNOLOGIES, LLC AND SHOULD NOT BE USED WITHOUT WRITTEN PERMISSION

DIMENSION UNITS	SCALE	MEASUREMENTS WITHOUT TOLERANCE ACC. TO ISO 2768-mK
mm	5:1	
5	24420	
4	24410 / 24420	
3	24130	
2	23053	
1		
REV.	CH.-NO.	

molex	
FCT Corresponding Slide Lock Post F-SGV1/5	
PRODUCT CUSTOMER DRAWING	
MATERIAL NUMBER	REVISION
see table	5

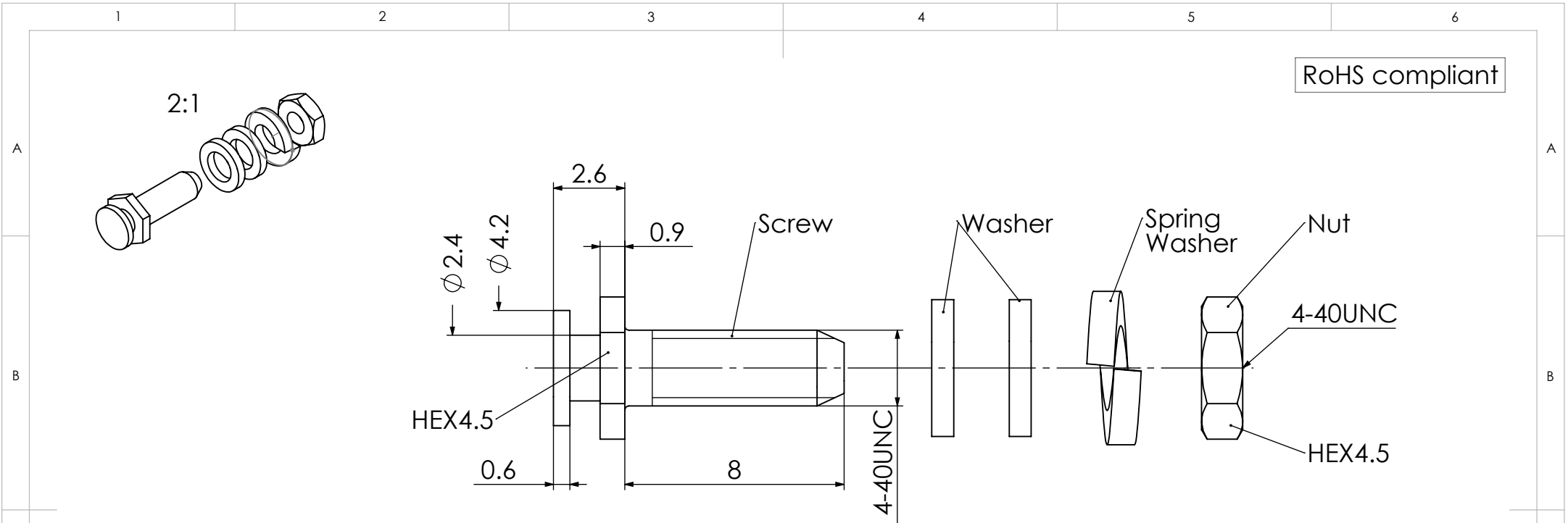
REPLACEMENT FOR: 1731120236_Rev.A1	FIRST ANGLE PROJECTION	DRAWING A4-SIZE	DOCUMENT NUMBER F56M034_D	CUSTOMER GENERAL MARKET	SHEET NUMBER 1 OF 1
---------------------------------------	------------------------	--------------------	------------------------------	----------------------------	------------------------

Generally twice a material number respectively FCT part number is needed per connector.

Packaging specification: 1731120003-PK

1) With tension control fluid

COMMENT:
 ALL RIGHTS ARE RESERVED BY US FOR THIS DRAWING. WITHOUT OUR PRIOR CONSENT,
 IT MAY NEITHER BE DUBLICATED NOR MADE AVAILABLE TO A THIRD PARTY,
 AND IT ALSO MAY NOT BE IMPROPERLY USED BY TE RECEIVER, OR A THIRD PARTY.



1731121324	F56M034S245+S	Steel	tin plated	1	-	-	-
1731120236	F-SGV1/5		zinc plated 1)	1	2	1	1
1731120992	F-SGV1/5S		zinc plated 1)	1	2	1	1
1731120604	F-SGV1/5SN		tin plated	1	2	1	1
<i>Material Number</i>	<i>FCT Part Number</i>	<i>Material</i>	<i>Surface</i>	<i>Screw (pc.)</i>	<i>Washer (pc.)</i>	<i>Spring Washer (pc.)</i>	<i>Nut (pc.)</i>

FUNCTIONAL SYMBOLS								THIS DRAWING CONTAINS INFORMATION THAT IS PROPRIETARY TO MOLEX ELECTRONIC TECHNOLOGIES, LLC AND SHOULD NOT BE USED WITHOUT WRITTEN PERMISSION							
$\nabla = 0$	DIMENSION UNITS	SCALE	MEASUREMENTS WITHOUT TOLERANCE ACC. TO ISO 2768-mK					molex							
$\nabla = 0$	mm	5:1	CURRENT REVISION												
$\nabla = 0$	5	24420	DRWN: DRAWN BY mteubel 26-11-2025					FCT Corresponding Slide Lock Post F-SGV1/5							
	4	24410 / 24420	APPR: APPR BY gkrimshandl 27-11-2025												
	3	24130	INITIAL REVISION					PRODUCT CUSTOMER DRAWING							
	2	23053	DRWN: DRAWN BY Denzinger 23-09-2003					MATERIAL NUMBER							
	1		APPR: APPR BY fflo3mann 25-02-2004					see table							
REVISION	CH.-NO.		REPLACEMENT FOR: 1731120236_Rev.A1					DOCUMENT NUMBER F56M034_D							
			FIRST ANGLE PROJECTION					CUSTOMER GENERAL MARKET							
			DRAWING A4-SIZE					REVISION 5							
								SHEET NUMBER 1 OF 1							

Generally twice a material number respectively FCT part number is needed per connector.

Packaging specification: 1731120003-PK

1) With tension control fluid