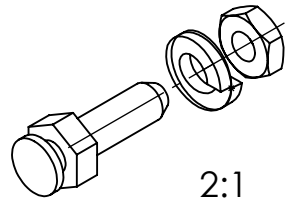
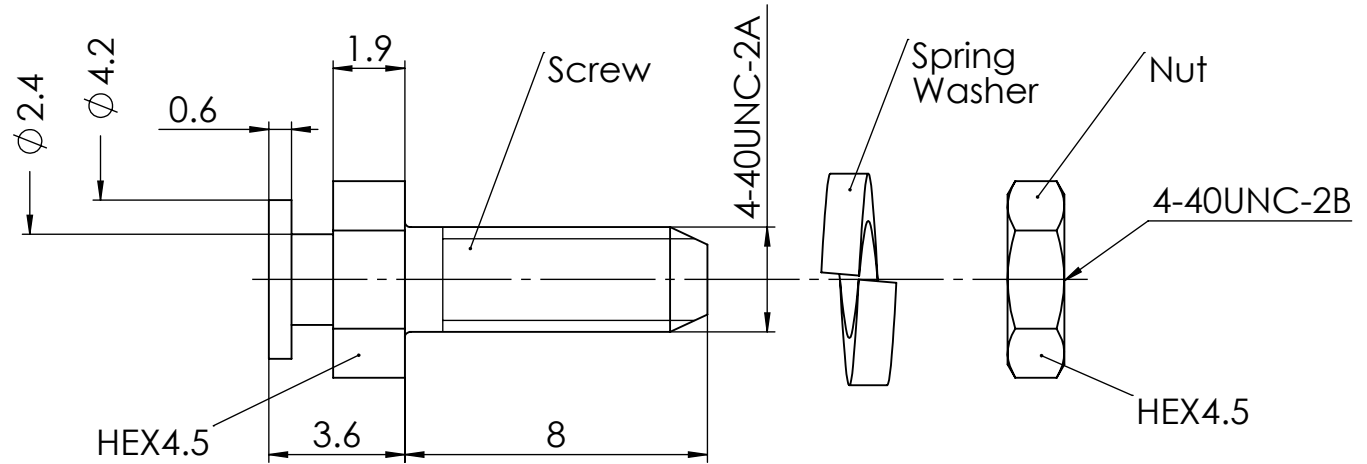


COMMENT:
 ALL RIGHTS ARE RESERVED BY US FOR THIS DRAWING. WITHOUT OUR PRIOR CONSENT,
 IT MAY NEITHER BE DUBLICATED NOR MADE AVAILABLE TO A THIRD PARTY,
 AND IT ALSO MAY NOT BE IMPROPERLY USED BY TE RECEIVER, OR A THIRD PARTY.



2:1



RoHS compliant

1731120377	F-GSCH1/5-K126	Steel	tin plated	1	-	1	1
<i>Material Number</i>	<i>FCT Part Number</i>	<i>Material</i>	<i>Surface</i>	<i>Screw (pc.)</i>	<i>Washer (pc.)</i>	<i>Spring Washer (pc.)</i>	<i>Nut (pc.)</i>

FUNCTIONAL SYMBOLS $\nabla = 0$ $\nabla = 0$ $\nabla = 0$	THIS DRAWING CONTAINS INFORMATION THAT IS PROPRIETARY TO MOLEX ELECTRONIC TECHNOLOGIES, LLC AND SHOULD NOT BE USED WITHOUT WRITTEN PERMISSION						
	DIMENSION UNITS mm	SCALE 5:1	MEASUREMENTS WITHOUT TOLERANCE ACC. TO ISO 2768-mK				
	CURRENT REVISION		DRWN: DRAWN BY mteubel 25-11-2025				
	APPR: APPR BY gkrimshandl 27-11-2025		INITIAL REVISION		PRODUCT CUSTOMER DRAWING		
3	24410 / 24420	DRWN: DRAWN BY birgit.rinder 01-04-2010		MATERIAL NUMBER			REVISION
2	24130	APPR: APPR BY ssschref 01-04-2010		see table			3
1		REPLACEMENT FOR: 1731120249_Rev.A1		FIRST ANGLE PROJECTION		DRAWING	
REV.	CH.-NO.			A4-SIZE		DOCUMENT NUMBER	
						F56M093_D	
						CUSTOMER	
						GENERAL MARKET	
						SHEET NUMBER	
						1 OF 1	

Generally twice a material number respectively FCT part number is needed per connector.

Packaging specification: 1731120003-PK

FCT Corresponding Slide Lock Post
F-SGV1/5-K1749

PRODUCT CUSTOMER DRAWING

MATERIAL NUMBER

see table

DOCUMENT NUMBER
F56M093_D

CUSTOMER
GENERAL MARKET

SHEET NUMBER
1 OF 1