

748364-1 ✓ ACTIVE

AMPLIMITE

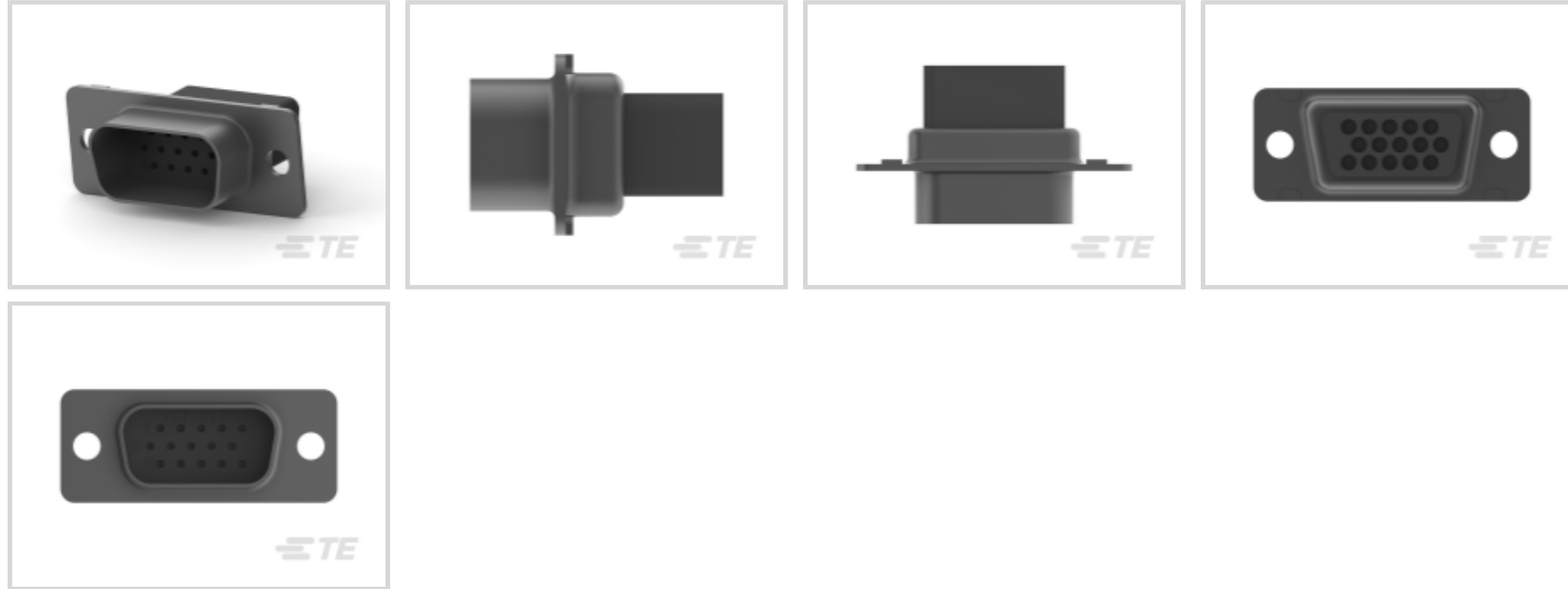
TE Internal #: 748364-1

Crimp D-Sub Connectors, Plug, Cable-to-Cable, 15 Position, Size 22 Contact Size, 1 Connector Shell Size, Mating Retention, Shielded

[View on TE.com >](#)



Connectors > D-Shaped Connectors > D-Sub Connectors > Crimp D-Sub Connectors > D-Sub Crimp: Plug, Signal, 50 Posn, Pin Size 22, Shell Size 1



Connector & Housing Type: **Plug**

Connector System: **Cable-to-Cable**

Number of Positions: **15**

Contact Size: **Size 22**

Connector Shell Size: **1**

[All D-Sub Crimp: Plug, Signal, 50 Posn, Pin Size 22, Shell Size 1 \(4\)](#)

Features

Product Type Features

Shell Material Configuration	Front Metal Shell
Ground Feature Type	Grounding Indents
Connector & Contact Terminates To	Wire & Cable
Connector & Housing Type	Plug
Connector System	Cable-to-Cable
Connector Shell Size	1
Sealable	No

Configuration Features

Number of Positions	15
---------------------	----

Body Features

Insert Material	Glass-Filled Nylon
Shell Plating Material	Tin

Contact Features



Contact Options	Order Separately
Contact Size	Size 22

Termination Features

Termination Method to Wire & Cable	Crimp
------------------------------------	-------

Mechanical Attachment

Mating Retention	With
Mating Retention Type	Mounting Holes

Housing Features

Shell Material	Steel
Centerline (Pitch)	2.28 mm[.09 in]

Usage Conditions

Operating Temperature Range	-55 – 105 °C[-67 – 221 °F]
-----------------------------	----------------------------

Operation/Application

Circuit Application	Signal
Shielded	Yes

Industry Standards

UL Flammability Rating	UL 94V-0
------------------------	----------

Packaging Features

Packaging Quantity	800
Packaging Method	Package

Product Compliance

[For compliance documentation, visit the product page on TE.com>](#)

EU RoHS Directive 2011/65/EU	Compliant
EU ELV Directive 2000/53/EC	Compliant
China RoHS 2 Directive MIIT Order No 32, 2016	No Restricted Materials Above Threshold
EU REACH Regulation (EC) No. 1907/2006	Current ECHA Candidate List: JUNE 2024 (241) Candidate List Declared Against: JUNE 2024 (241) Does not contain REACH SVHC
Halogen Content	BFR/CFR/PVC Free, but Br/Cl >900 ppm in other sources.

Solder Process Capability

Not applicable for solder process capability

Product Compliance Disclaimer

This information is provided based on reasonable inquiry of our suppliers and represents our current actual knowledge based on the information they provided. This information is subject to change. The part numbers that TE has identified as EU RoHS compliant have a maximum concentration of 0.1% by weight in homogenous materials for lead, hexavalent chromium, mercury, PBB, PBDE, DBP, BBP, DEHP, DIBP, and 0.01% for cadmium, or qualify for an exemption to these limits as defined in the Annexes of Directive 2011/65/EU (RoHS2). Finished electrical and electronic equipment products will be CE marked as required by Directive 2011/65/EU. Components may not be CE marked. Additionally, the part numbers that TE has identified as EU ELV compliant have a maximum concentration of 0.1% by weight in homogenous materials for lead, hexavalent chromium, and mercury, and 0.01% for cadmium, or qualify for an exemption to these limits as defined in the Annexes of Directive 2000/53/EC (ELV). Regarding the REACH Regulation, the information TE provides on SVHC in articles for this part number is based on the latest European Chemicals Agency (ECHA) 'Guidance on requirements for substances in articles' posted at this URL: <https://echa.europa.eu/guidance-documents/guidance-on-reach>

Compatible Parts



TE Part # CAT-038-DCPPS221
D-Sub Crimp: Plug, Signal, 50 Posn,
Pin Size 22, Shell Size 1



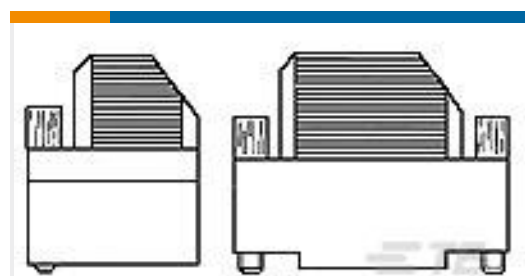
TE Part # CAT-038-DCRSS221
D-Sub Crimp Recept Signal 15 Posn,
Socket Size 22, Shell Size 1



TE Part # 216164-1
15P.HDP22 REC.ASSY.



TE Part # 2198617-9
Ni Plated Plastic Backshell, 9 Way, Str



TE Part # 1393738-2
V42254A6000G115=SUB D GEHAEUSE

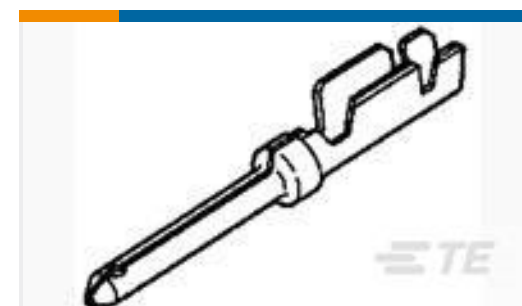
Customers Also Bought



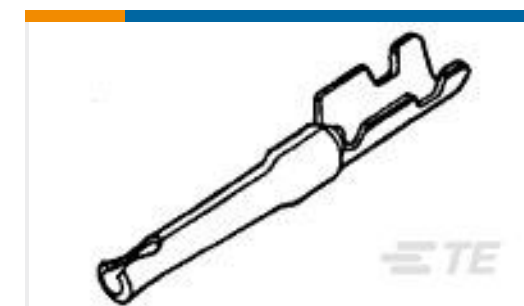
TE Part #205203-3
CRIMP SNAP RCPT ASSY,SIZE 1



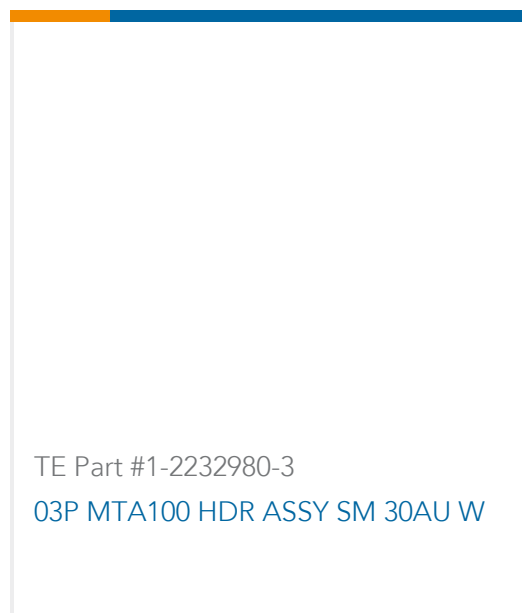
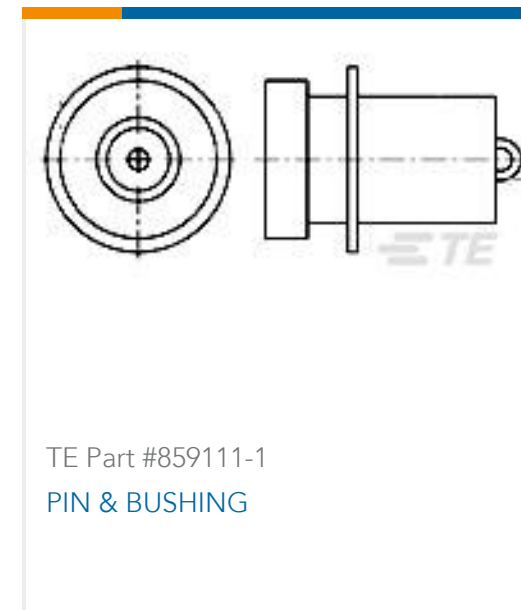
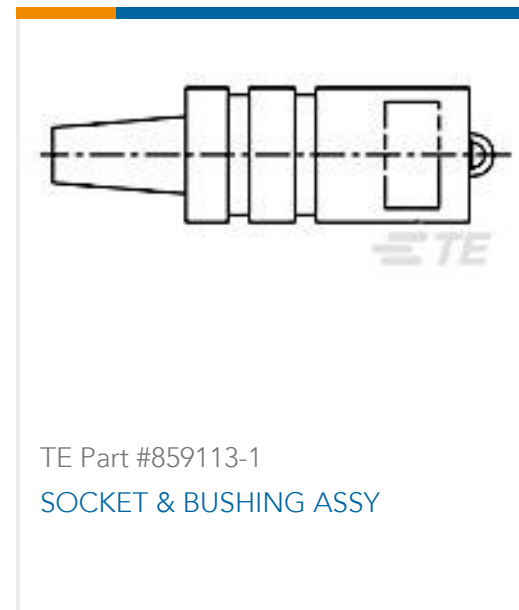
TE Part #205206-3
CRIMP SNAP PLUG ASSY,SIZE 2



TE Part #1658670-4
PIN CONTACT,22 DF,LP,22-28 AWG



TE Part #1658686-1
SOCKET CONTACT,22 DF,STRIP,22-



Documents

Product Drawings

15 HD22 CRIMP SNAP PLUG

English

CAD Files

Customer View Model

[ENG_CVM_748364-1_H.3d_igs.zip](#)

English

Customer View Model

[ENG_CVM_748364-1_H.3d_stp.zip](#)

English

Customer View Model

[ENG_CVM_748364-1_H.2d_dxf.zip](#)

English

3D PDF

3D

By downloading the CAD file I accept and agree to the [Terms and Conditions](#) of use.

Datasheets & Catalog Pages

AMPLIMITE Subminiature D Connectors - Cable Connectors

English

AMPLIMITE Cable Connectors and Shielding Hardware Kits QRG

English

Product Specifications

Application Specification

English



Instruction Sheets

[Instruction Sheet \(U.S.\)](#)

English

Agency Approvals

[UL Report](#)

English