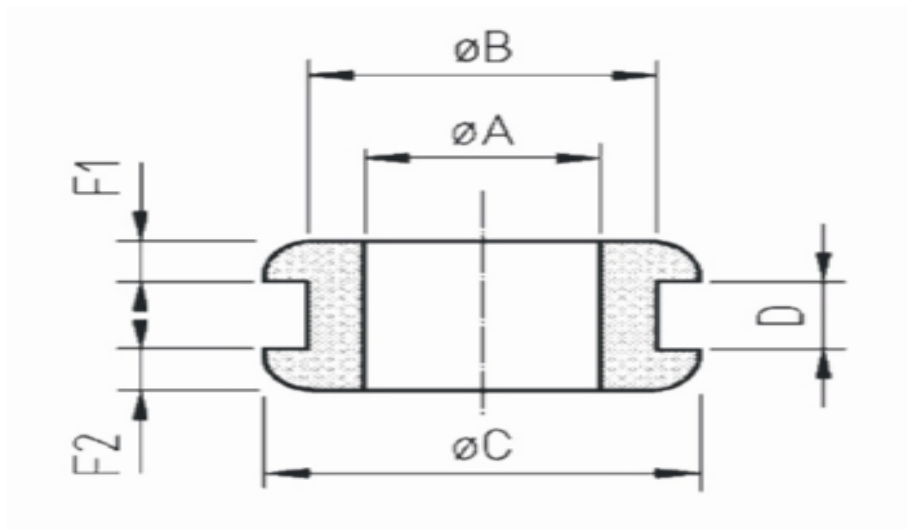


# Product Datasheet – Grommet (Type DA / 21806)



## Key Specifications

Property	Value
Material	Neoprene (Polychloroprene)
Colour	Black
Temperature Range	-30 °C to +90 °C
Design	Round edge grommet

## Description

Round cable entry grommet designed to protect cables passing through panel holes. Provides mechanical protection and strain relief in electrical and industrial applications.

## Dimensions (mm)

Part No.	A (Cable Ø)	B (Hole Ø)	D (Panel)	C	F1	F2
14400260	5	7	2	11	2.75	2.75
14400189	4.5	9.5	2	14	4.5	4.5
14400999	11	15	2.5	19	3	3
14400472	6	11	2	16	1.75	1.75
14401100	12	20	3	25	2.5	2.5
14400529	6	12	3	16	1.75	1.75

Part No.	A (Cable Ø)	B (Hole Ø)	D (Panel)	C	F1	F2
14400928	9.5	13	8	17.5	3	3
14401290	15	22	3	26	4.5	4.5
14400170	4.5	9.5	1.5	14	4.5	4.5
14401347	16	22	3	29.5	4	4
14400448	6	10	3	14	3	3